

PAL PRODUCT WARRANTY DETAILS

The PAL-2FR is guaranteed against defects in materials and/or workmanship, under normal domestic use for (12) twelve months.

Except as otherwise provided for by law, this guarantee becomes invalid if in the opinion of the Company the product has been misused, abused, damaged in transit, incorrectly installed, or connected to an electrical supply not corresponding with the products specification.

The Company is not responsible for forwarding freight charges or losses in transit.

If any part of the product proves to be defective within the warranty period, the defective part will be repaired or replaced, free of charge and at the discretion of Bellson Electric.

Important

This product warranty is limited to and is conditional upon

- 1) Returning the product warranty card to Bellson Electric.
- 2) Use of the product with an approved PAL transformer, Lamp and no other.
- 3) The owner/user of the product assuming the costs of returning the product or any part claimed to be defective.

PLEASE REGISTER ONLINE AT:
www.bellson.com.au/register.htm

Publication No. P39-31A

INSTALLATION & MAINTENANCE INSTRUCTIONS ON THE PAL-FR AQUATIC LED LIGHT WITH COLOUR LOCK FEATURE

FEATURES

- ☐ Compact Size.
- ☐ Long Life RGB LED Lamp with Colour Lock Feature to provide 6 Fixed Colours, 2 colour effects & 3 Selectable Start Colours
- ☐ Low Power Consumption (3.5 watt).
- ☐ All Moulded Construction.
- ☐ Made and Designed in Australia.
- ☐ Can be remote controlled by optional **Powerite** FM Radio Control Systems.

Applications

The PAL-2FR is an Aquatic Light that can be installed underwater in Pools, Ponds or Waterfalls etc. or as a Landscape Light to obtain a variety of lighting effects utilising the range of accessories available for the PAL-2FR.

Installation Instructions for the PAL-2FR Fitting in Landscape Lighting Applications

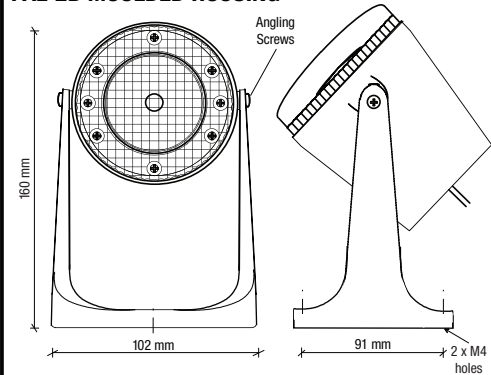
Step 1. Locate the position for mounting the PAL-2FR fitting to obtain the best light spread for the application.

Step 2. Mount the fitting via the 2 holes in the bottom bracket or with the garden stake and adjust the fitting via the (2) two angling screws to position the fitting to obtain the desired lighting effect.

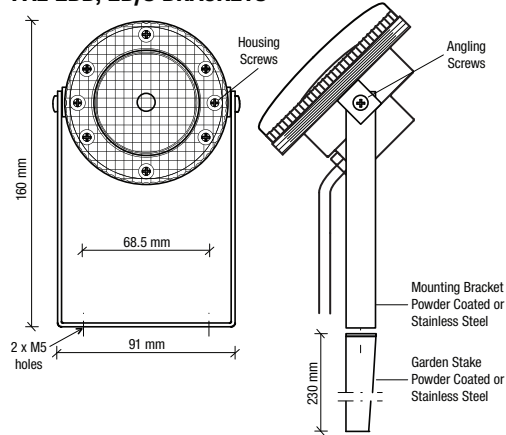
Step 3. Find a suitable position to mount the transformer ensuring it is a minimum of 300mm above the ground level and keep pipes/wires away from the transformer to avoid damage. The transformer must be installed to comply with AS3000.

Assembly Details

PAL-2B MOULDED HOUSING

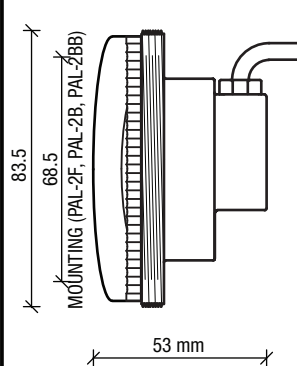


PAL-2BB, 2B/S BRACKETS

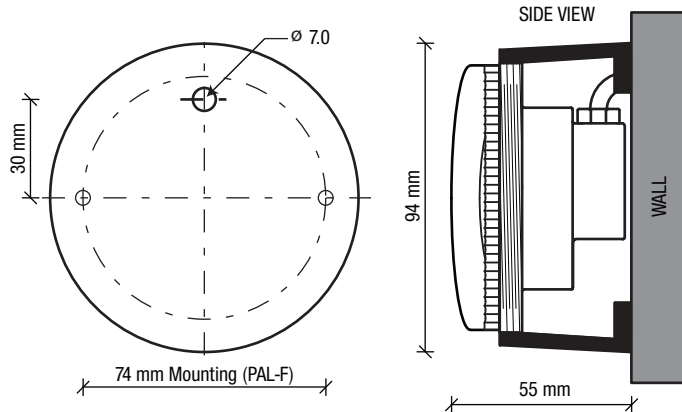


Dimensional Details

PAL-2FR



PAL-2F WALL HOUSING MOUNTING DETAILS



PAL LAR OPERATING INSTRUCTIONS

MODE SELECTION

To operate the light's turn ON the light switch. To advance to the next colour mode just turn the light switch OFF then ON within 1.5 seconds on each colour advance until you select the required colour mode. If you require to select a new colour after the light mode is set just switch off the light switch for 2 seconds and the lamp will reset ready to select a new colour mode.

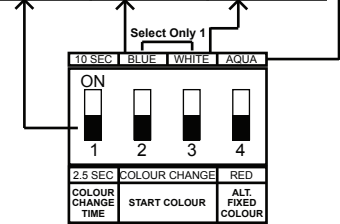
Fixed Colour Selection Guide			
Mode 1.	Colour Change	Blue	White
Mode 2.	White	White	Colour Change
Mode 3.	Blue	Colour Change	Blue
Mode 4.	Green	Green	Green
Mode 5.	Red or Aqua	Red or Aqua	Red or Aqua
Mode 6.	Amber	Amber	Amber
Mode 7.	Purple	Purple	Purple
Mode 8.	Disco	Disco	Disco

START COLOUR SELECTION

The choice of 3 Start Colours can be selected by adjusting the DIP switch as shown in Mode 1.

The colour change time and aqua as an alternative to red can also be selected as shown in the selection guide.

NOTE:
Use the Dip Switch to select the desired colour or feature



Accessories Available

<p>BLACK POWDER COATED AND STAINLESS STEEL METAL MOUNTING BRACKET AND METAL GARDEN STAKES</p>	<p>HOOD COVERS STAINLESS STEEL COVERS</p>	<p>'B' MOULDED HOUSING DUAL DIRECTION HOOD COVERS</p>	<p>CONCRETE LIGHT ROCK</p>	<p>LAR COLOUR CHANGE LAMP PAL-F WALL HOUSING</p>
---	---	---	--------------------------------	--

Lamp Replacement Instructions for Fixed PAL-2FR Fitting

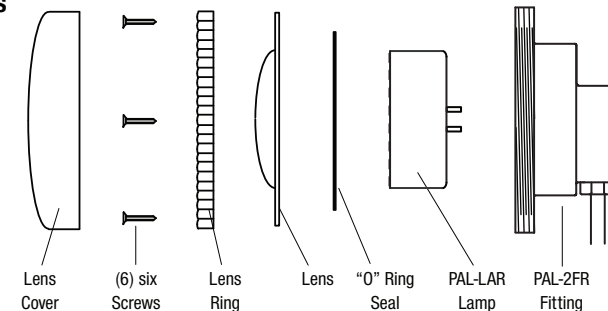
Step 1. Remove the clip-on lens cover and unscrew the (2) two housing screws in the front of the fitting. Then unscrew the (6) six lens screws to unclip the lamp from the lamp socket as shown on the Assembly drawing.

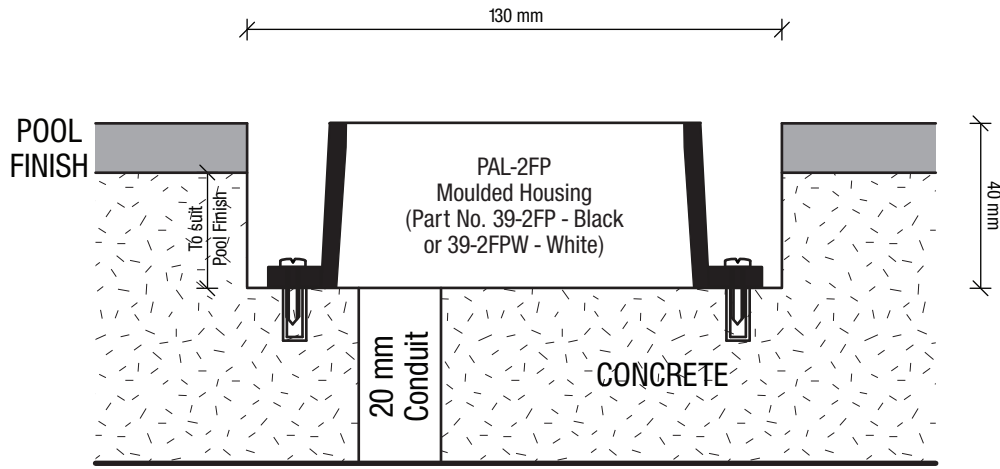
Step 2. Replace the LED Lamp. Note: To ensure reliable operation of your PAL it is essential to use a genuine PAL-LAR Lamp/Seal Replacement kit part no. 39-LAR.

When the lamp is replaced it is recommended to maintain the water tight seal that the "O" ring be also replaced, the "O" ring seal is supplied with the Lamp/Seal replacement kit.

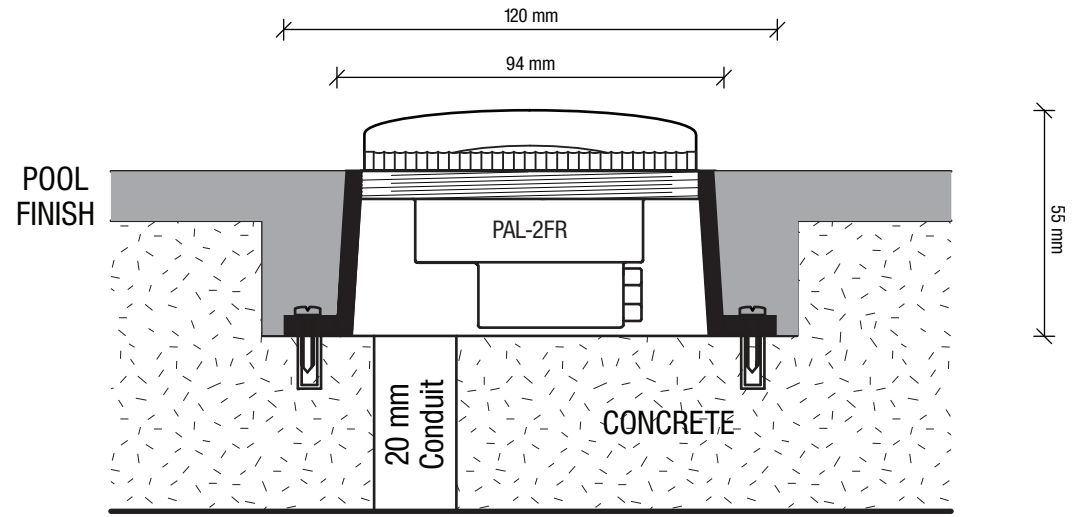
Step 3. When reassembling the PAL-2FR fitting ensure the "O" ring is sitting correctly and replace the (6) six lens screws and ensure the screws are not overtightened.

Assembly Details

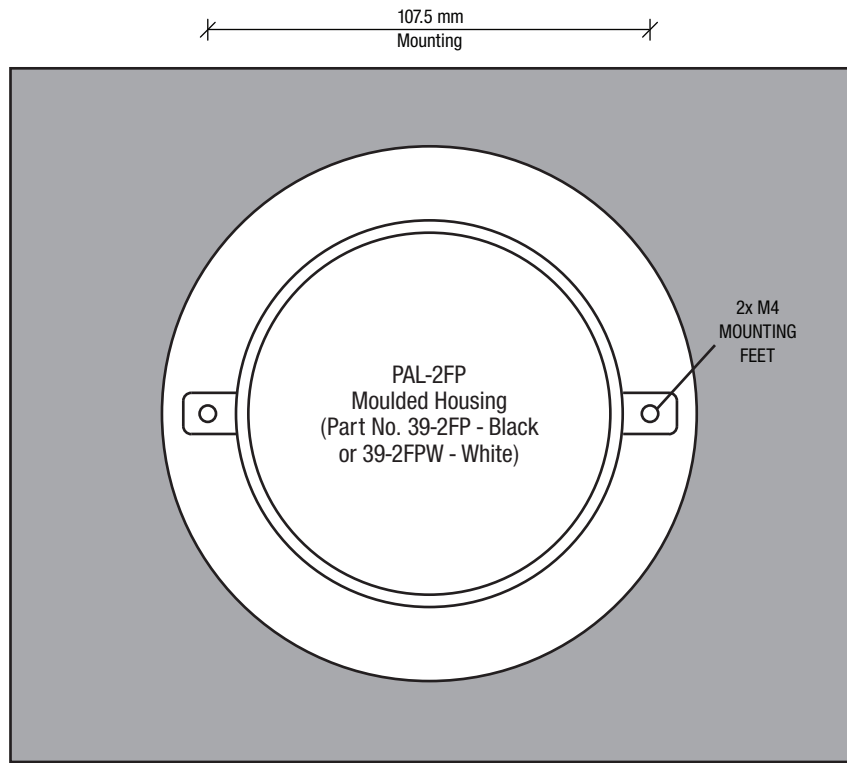




CONSTRUCTION DETAILS



COMPLETE ASSEMBLY



UNLESS OTHERWISE SPECIFIED DIMENSIONS ARE IN MILLIMETRES DO NOT SCALE DRAWING		BELLSON ELECTRIC 1/3 CAPTAIN COOK DRIVE CARINGBAH NSW 2229 AUSTRALIA		
DRAWN JCS	DATE 20/10/10	TITLE INSTALLATION DETAILS ON THE PAL-2FP MOULDED HOUSING		
CHECKED		SIZE A4	DWG. NO. 39-2FP01	REV. A
FILE	PAL2FP-01/1	SCALE	NTS	SHEET 1 OF 1