

PAL LAP/LAU OPERATING INSTRUCTIONS

MODE SELECTION

To operate the light's turn ON the light switch. To advance to the next colour mode just turn the light switch OFF then ON within 1.5 seconds on each colour advance until you select the required colour mode. If you require to select a new colour after the light mode is set just switch off the light switch for 2 seconds and the lamp will reset ready to select a new colour mode.

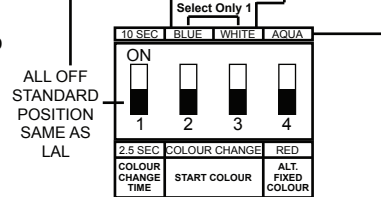
START COLOUR SELECTION

The choice of 3 Start Colours can be selected by adjusting the DIP switch as shown in Mode 1.

The colour change time and aqua as an alternative to red can also be selected as shown in the selection guide.

Fixed Colour Selection Guide			
Mode 1.	Colour Change	Blue	White
Mode 2.	White	White	Colour Change
Mode 3.	Blue	Colour Change	Blue
Mode 4.	Green	Green	Green
Mode 5.	Red or Aqua	Red or Aqua	Red or Aqua
Mode 6.	Amber	Amber	Amber
Mode 7.	Purple	Purple	Purple
Mode 8.	Disco	Disco	Disco

NOTE:
Use the Dip Switch to select the desired colour or feature



PAL PRODUCT WARRANTY DETAILS

The PAL is guaranteed against defects in materials and/or workmanship, under normal domestic use for (12) twelve months.

Except as otherwise provided for by law, this guarantee becomes invalid if in the opinion of the Company the product has been misused, abused, damaged in transit, incorrectly installed, or connected to an electrical supply not corresponding with the products specification.

The Company is not responsible for forwarding freight charges or losses in transit.

If any part of the product, except for the lamp proves to be defective within the warranty period, the defective part will be repaired or replaced, free of charge and at the discretion of Bellson Electric.

Important

This product warrantly is limited to and is conditional upon

- 1) Returning the product warranty card to Bellson Electric by registering online.
- 2) Use of the product with an approved PAL transformer, Lamp and no other.
- 3) The owner/user of the product assuming the costs of returning the product or any part claimed to be defective.

PRODUCT WARRANTY CARD

PLEASE REGISTER ONLINE AT:
www.bellson.com.au/register.htm

Publication No. P39-32AL



POWERITE

INSTALLATION & MAINTENANCE INSTRUCTIONS ON THE NEW PAL-2RCR FITTED WITH PAL LAP/LAU COLOUR LOCK LAMP FOR CONCRETE POOL/SPA APPLICATIONS

This product is protected by one or more of the following AUS Patents:
AUS Patents 757000, 2003203584 and 2004200183

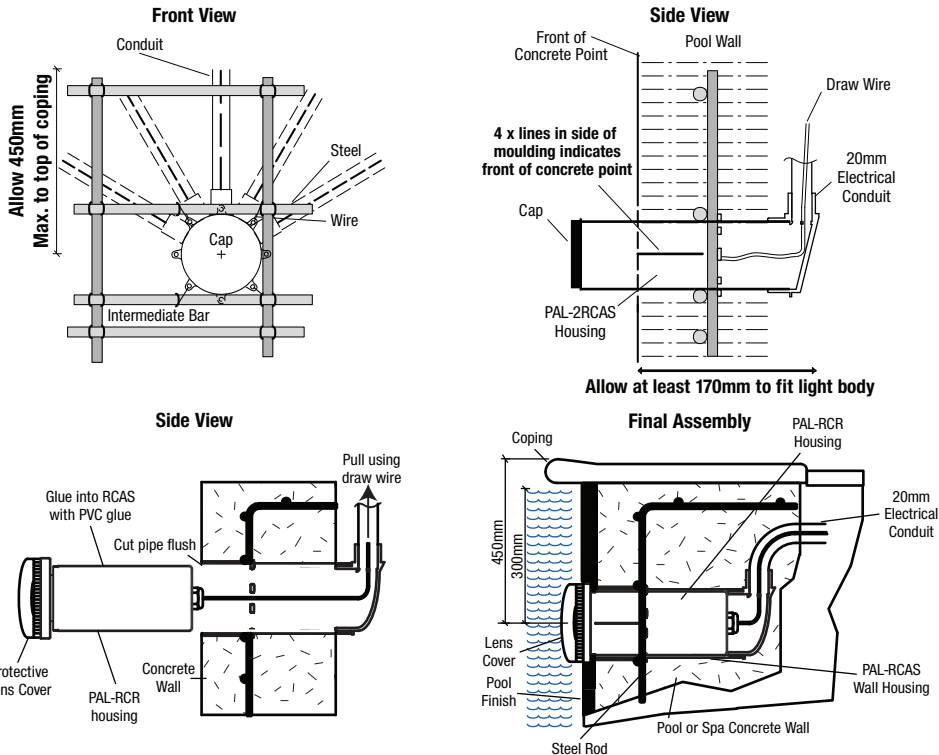
FEATURES

- ☐ Patented Re Adjustment Feature to Offset any misalignment of Wall Fitting
- ☐ Long Life RGB LED Lamp.
- ☐ All Moulded Construction.
- ☐ IP64 Weatherproof Transformer.
- ☐ Made and Designed in Australia.
- ☐ Can be remote controlled by optional **Powerite** FM Radio Control Systems.

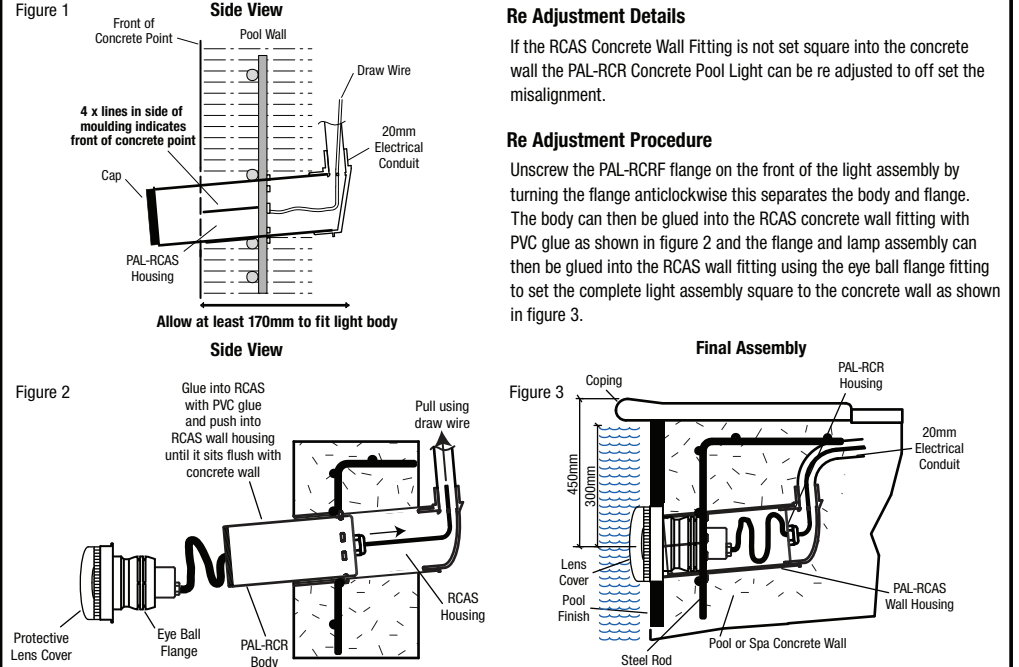
Installation Instructions for PAL-2RCR Retractable Fitting in Concrete Pools/Spas using the PAL-2RCAS

- Step 1. Locate the position for mounting the PAL fitting at the centre of one end of the pool or the centre of both ends if required. If the pool is an irregular shape the fitting should be located in a position to obtain the best light spread in the pool. The fitting should be placed 300mm below the water level or 450mm below the top of the pool to enable the retractable part of the fitting to be taken out of the pool if the lamp in the PAL has to be replaced.
- Step 2. Fit the PAL-2RCAS concrete wall housing into place in the steel work using wire to secure the housing into position with the mounting lugs around the housing. Ensure the PAL-2RCAS concrete wall housing is Level and Square with the pool wall and there is at least 170mm from the front of the concrete and the back of the housing to ensure the PAL-2RCR light assembly can be glued in correctly when the concrete shell is complete. NOTE: There are 4 lines on the housing indicating the approximate position where the front of concrete should finish allowing the light assembly to fit correctly. (4x Construction Lines shown below.)
- Step 3. After blowing the wall and concrete is set, trim the pipe down to flush with the wall as shown below.
- Step 4. **Before the pool finish is applied** the PAL-2RCR light assembly should be glued into the PAL-2RCAS housing using PVC glue to seal and locate the fitting into position.
- Step 5. With the light fitting in position in the Concrete Wall the Pool Finish can be applied up to the front face of the fitting as shown on the assembly drawing. Note: The disposable Lens Cover fitted to the PAL-2RCR will protect the fitting while the finish is being applied. The protective lens cover is replaced by the normal lens cover supplied with the PAL-2RCR when the pool is ready to be filled with water.
- Step 6. The PAL Transformer is IP64 and can be mounted in the pool zone. Find a suitable position to mount the transformer ensuring it is a minimum of 1.2m above the maximum water level and the transformer must be installed to comply with AS3000.

If the RCAS is mounted square into concrete wall



If the RCAS is not mounted square into concrete wall



Re Adjustment Details

If the RCAS Concrete Wall Fitting is not set square into the concrete wall the PAL-RCR Concrete Pool Light can be re adjusted to off set the misalignment.

Re Adjustment Procedure

Unscrew the PAL-RCRF flange on the front of the light assembly by turning the flange anticlockwise this separates the body and flange. The body can then be glued into the RCAS concrete wall fitting with PVC glue as shown in figure 2 and the flange and lamp assembly can then be glued into the RCAS wall fitting using the eye ball flange fitting to set the complete light assembly square to the concrete wall as shown in figure 3.

Lamp Replacement Instructions for PAL-2RCR Retractable Fitting

- Step 1. Remove the "Clip-On" Lens Cover on the PAL-2RCR and twist the body in a anti-clockwise direction to retract the fitting from the housing.
- Step 2. Unscrew the (6) six lens screws to unclip the lamp from the lamp socket as shown on the Assembly drawing.
- Step 3. Replace the Lamp. Note: To ensure reliable operation of your PAL it is essential to use a genuine PAL-2RC Lamp/Seal Replacement kit part no. 39-2DL50 or **FNV/CG 50 watt** Xenon Lamp with UV Cover Glass. (No other) When the Lamp is replaced it is recommended to maintain the water tight seal that the "O" ring be also replaced, the "O" ring seal is supplied with the Lamp/Seal replacement kit.
- Step 4. When reassembling the PAL-2RCR fitting ensure the "O" ring is sitting correctly and replace the lens, clamping ring and (6) six lens screws and ensure the screws are not overtightened.
- Step 5. Feed the wire back into the body and twist the fitting in a clockwise direction to lock into position.

Assembly Details

