

Fixing Information for PAL-RCR light in Concrete Pools

If the RCAS is mounted square into concrete wall

Diagram 1

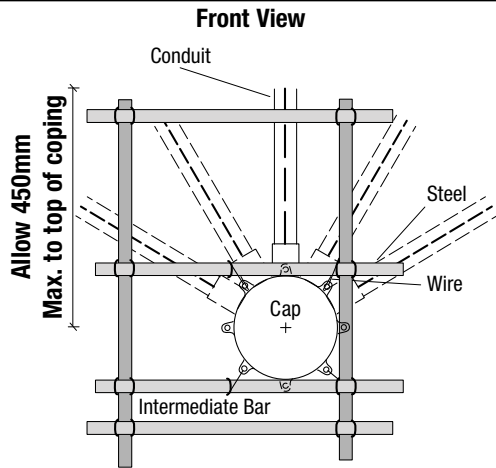


Diagram 2

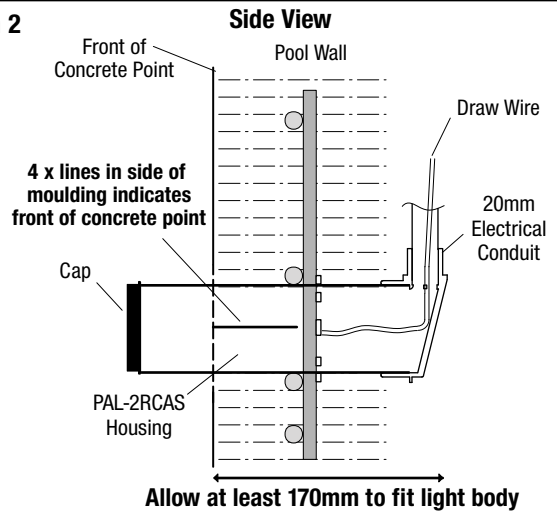


Diagram 3

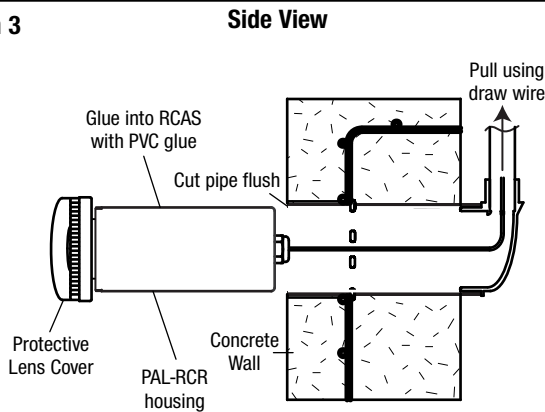
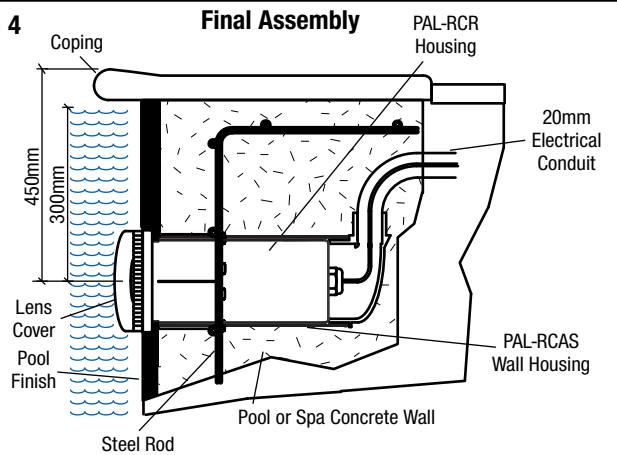
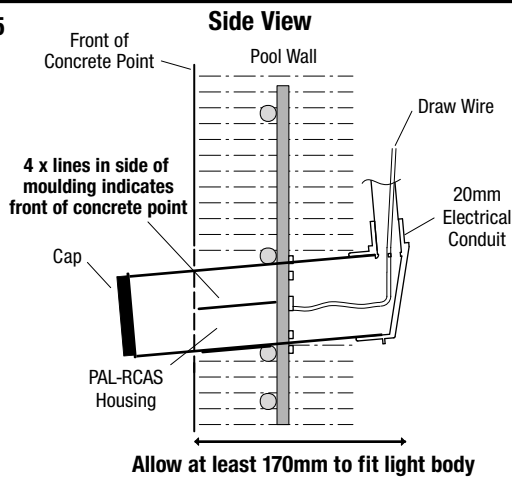


Diagram 4



If the RCAS is not mounted square into concrete wall

Diagram 5



Re Adjustment Details

If the RCAS Concrete Wall Fitting is not set square into the concrete wall the PAL-RCR Concrete Pool Light can be re adjusted to off set the misalignment.

Re Adjustment Procedure

Unscrew the PAL-RCRF flange on the front of the light assembly by turning the flange anticlockwise this separates the body and flange. The body can then be glued into the RCAS concrete wall fitting with PVC glue as shown in diagram 6 and the flange and lamp assembly can then be glued into the RCAS wall fitting using the eye ball flange fitting to set the complete light assembly square to the concrete wall as shown in diagram 7.

Diagram 6

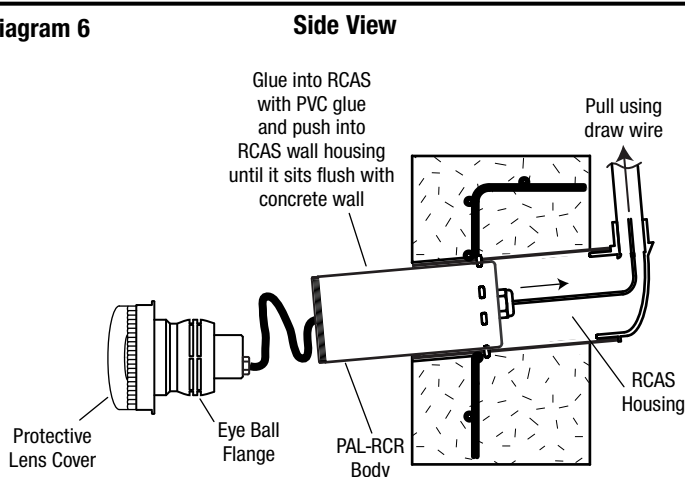
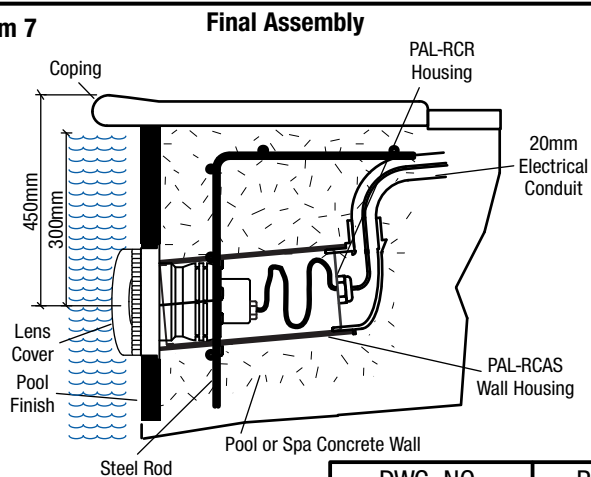


Diagram 7



DWG. NO.
RCR-01P

REV.
B