



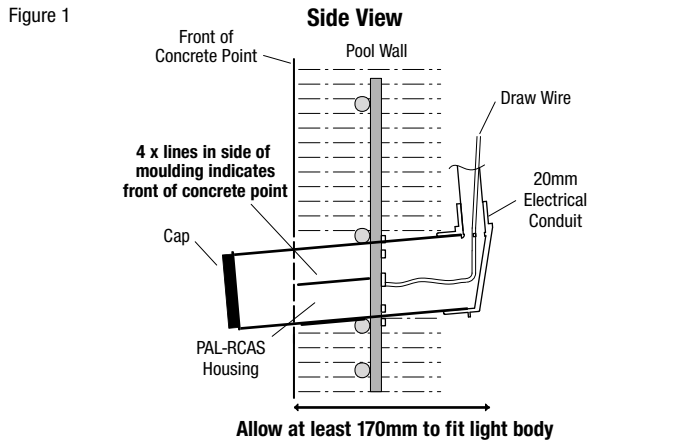


NEW PAL-RCR RE-ADJUSTABLE CONCRETE POOL & SPA LIGHT

PAL-RCR (50W UNDERWATER LIGHT)	DESCRIPTION	PAL CODE
 <p>PAL-RCR RETRACTABLE FITTING COMPLETE WITH 10,000HR XENON LAMP AND BLUE, GREEN & CLEAR LENSES</p>	COMPLETE ASSEMBLY WITH 18M LEAD, IP64 TRANSFORMER WITH SUPPLY LEAD & PLUG FITTED	39-2RCR5
	COMPLETE ASSEMBLY WITH 24M LEAD, IP64 TRANSFORMER WITH SUPPLY LEAD & PLUG FITTED	39-2RCR54
<p>PAL-RCRL (UNDERWATER LIGHT WITH LAU COLOUR LOCK LED LAMP)</p> 	COMPLETE ASSEMBLY WITH 18M LEAD, IP64 TRANSFORMER WITH SUPPLY LEAD & PLUG FITTED	39-2RCR5L
	COMPLETE ASSEMBLY WITH 24M LEAD, IP64 TRANSFORMER WITH SUPPLY LEAD & PLUG FITTED	39-2RCR54L
<p>PAL-RCRLAP (UNDERWATER LIGHT WITH LAP COLOUR LOCK LED LAMP)</p> 	COMPLETE ASSEMBLY WITH 18M LEAD, IP64 TRANSFORMER WITH SUPPLY LEAD & PLUG FITTED	39-2RCR5LAP
	COMPLETE ASSEMBLY WITH 24M LEAD, IP64 TRANSFORMER WITH SUPPLY LEAD & PLUG FITTED	39-2RCR54LAP
<p>PAL-RCAS</p>  <p>CONCRETE POOL WALL FITTING</p>	TO SUIT PAL-2RCR/2RCS LIGHT	39-2RCASF

If the RCAS is not mounted square into concrete wall



Re Adjustment Details

If the RCAS Concrete Wall Fitting is not set square into the concrete wall the PAL-RCR Concrete Pool Light can be re adjusted to off set the misalignment.

Re Adjustment Procedure

Unscrew the PAL-RCRF flange on the front of the light assembly by turning the flange anticlockwise this separates the body and flange. The body can then be glued into the RCAS concrete wall fitting with PVC glue as shown in figure 2 and the flange and lamp assembly can then be glued into the RCAS wall fitting using the eye ball flange fitting to set the complete light assembly square to the concrete wall as shown in figure 3.

