

PAL LAR/LAR-P OPERATING INSTRUCTIONS

MODE SELECTION

To operate the light's turn ON the light switch.
To advance to the next colour mode just turn the light switch OFF then ON within 1.5 seconds on each colour advance until you select the required colour mode. If you require to select a new colour after the light mode is set just switch off the light switch for 2 seconds and the lamp will reset ready to select a new colour mode.

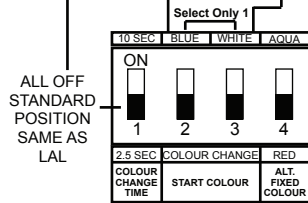
START COLOUR SELECTION

The choice of 3 Start Colours can be selected by adjusting the DIP switch as shown in Mode 1.

The colour change time and aqua as an alternative to red can also be selected as shown in the selection guide.

Fixed Colour Selection Guide			
Mode 1.	Colour Change	Blue	White
Mode 2.	White	White	Colour Change
Mode 3.	Blue	Colour Change	Blue
Mode 4.	Green	Green	Green
Mode 5.	Red or Aqua	Red or Aqua	Red or Aqua
Mode 6.	Amber	Amber	Amber
Mode 7.	Purple	Purple	Purple
Mode 8.	Disco	Disco	Disco

NOTE:
Use the Dip Switch to select the desired colour or feature



PAL PRODUCT WARRANTY DETAILS

The PAL is guaranteed against defects in materials and/or workmanship, under normal domestic use for (12) twelve months.

Except as otherwise provided for by law, this guarantee becomes invalid if in the opinion of the Company the product has been misused, abused, damaged in transit, incorrectly installed, or connected to an electrical supply not corresponding with the products specification.

The Company is not responsible for forwarding freight charges or losses in transit.

If any part of the product, except for the lamp proves to be defective within the warranty period, the defective part will be repaired or replaced, free of charge and at the discretion of Bellson Electric.

Important

This product warranty is limited to and is conditional upon

- 1) Returning the product warranty card to Bellson Electric by registering online.
- 2) Use of the product with an approved PAL transformer, Lamp and no other.
- 3) The owner/user of the product assuming the costs of returning the product or any part claimed to be defective.

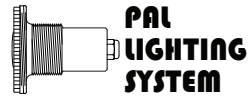
Please return the following Product Warranty Card to:

Bellson Electric Pty Ltd
P.O. Box 2966
Taren Point NSW 2229

PRODUCT WARRANTY CARD

CUSTOMER NAME:	_____
INSTALLATION ADDRESS:	_____
	POSTCODE: _____
POOL BUILDER:	_____
DATE INSTALLED:	_____
	INSTALLATION: POOL <input type="checkbox"/>
	SPA <input type="checkbox"/>
	OTHER <input type="checkbox"/>

Publication No. P39-33A



POWERITE

INSTALLATION & MAINTENANCE INSTRUCTIONS

ON THE NEW PAL-RL FITTED WITH PAL LAR/LAR-P COLOUR LOCK LAMP FOR CONCRETE POOL/SPA APPLICATIONS

This product is protected by one or more of the following AUS Patents:
AUS Patents 757000, 2003203584 and 2004200183

FEATURES

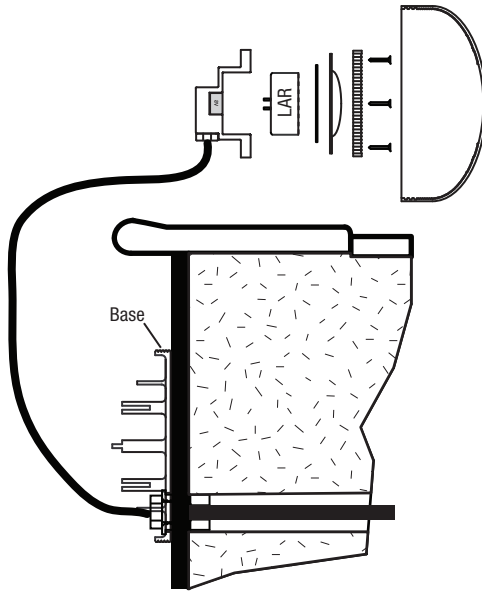
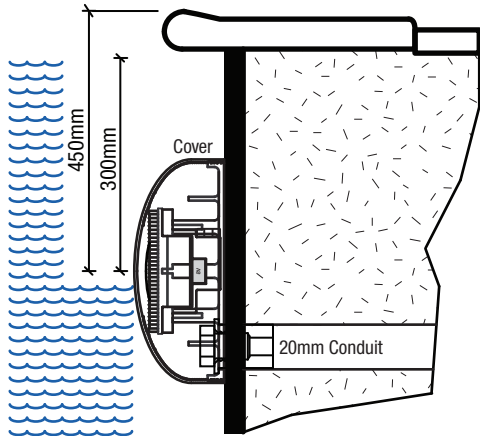
- ☐ Simple Surface Mount Design.
- ☐ Long Life Colour Lock RGB LED Lamp with 3 Selectable Start Colours
- ☐ All Moulded Construction.
- ☐ IP64 Weatherproof Transformer.
- ☐ Made and Designed in Australia.
- ☐ Can be remote controlled by optional **Powerite** FM Radio Control Systems.

Installation Instructions for PAL-RL Retractable Fitting in Concrete Pools/Spas

- Step 1. Locate the position for mounting the PAL-RL fitting at the centre of one end of the pool or the centre of both ends if required. If the pool is an irregular shape the fitting should be located in a position to obtain the best light spread in the pool. The fitting should be placed 300mm below the water level or 450mm below the top of the pool to enable the retractable part of the fitting to be taken out of the pool if the lamp in the PAL-RL has to be replaced.
- Step 2. Set a 20mm Electrical Conduit into the Pool Wall at the location selected for the lights.
- Step 3. Screw the PAL-RL Surround and RL Base into the concrete wall with the Screw Kit Supplied.
- Step 4. Feed the 12V Supply wire for the light through the 20mm Conduit.
- Step 5. Glue the 20mm Conduit Gland Assembly into the 20mm Conduit with PVC glue (Item 1 on Assembly Drawing).
- Step 6. Position the wire into the base as supplied and screw down the light cover.
- Step 7. The PAL Transformer is IP64 and can be mounted in the pool zone. Find a suitable position to mount the transformer ensuring it is a minimum of 1.2m above the maximum water level and the transformer must be installed to comply with AS3000.

Final Assembly

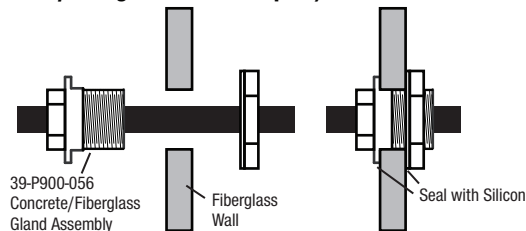
LED Lamp Replacement Details



Gland Assembly for Fiberglass Pools (Using Concrete/Fiberglass Gland Adaptor)

When the PAL-RL is to be fitted into Fiberglass pools the concrete/fiberglass gland adaptor (PAL-RLFCA) will be supplied and should be fitted as shown.

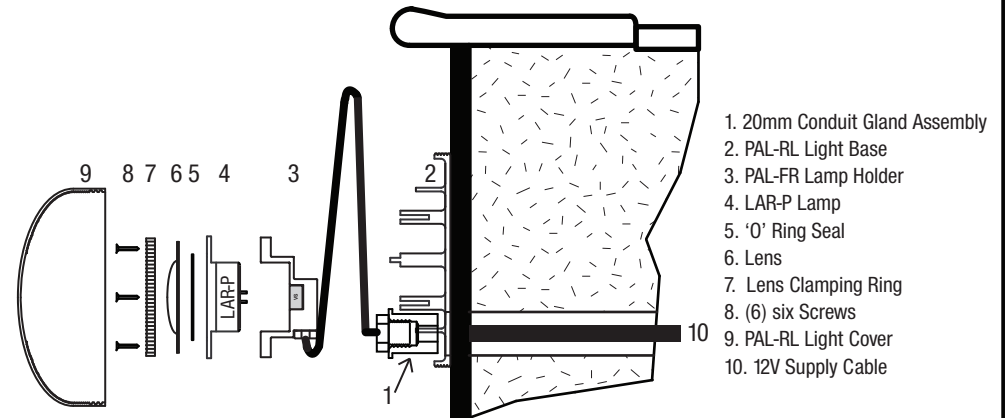
Note: This universal Gland assembly can also be used to glue into 20mm Conduit for use in Concrete Pools



Lamp Replacement Instructions for PAL-2RL Retractable Fitting

If the LED lamp ever requires replacement the following procedure should be carried out.

- Step 1. Unscrew the Plastic Cover on the PAL-2RL by turning the cover in an anti-clockwise direction.
- Step 2. Remove the two long screws holding the lamp housing to the base and retract the lamp body from the base.
NOTE: Ensure the Correct 2 Pan Head Screws are removed not any of the countersunk screws that seal the lens.
- Step 3. Unscrew the (6) six lens screws to unclip the lamp from the lamp socket as shown on the Assembly drawing.
- Step 4. Replace the Lamp. Note: To ensure reliable operation of your PAL it is essential to use a genuine PAL-2RL Ultra Bright Blue LED Lamp/Seal Replacement kit part no. 39-LAR-PB
When the Lamp is replaced it is essential to maintain the water tight seal that the "O" ring be also replaced, the "O" ring seal is supplied with the Lamp/Seal replacement kit.
- Step 5. When reassembling the PAL-2RL fitting ensure the "O" ring is sitting correctly and replace the lens, clamping ring and (6) six lens screws and ensure the screws are not overtightened.
- Step 6. Feed the wire back into the base to coil around the lamp body mounting pillars.
- Step 7. Fix the lamp body into the base with the 2x Longer Pan Head Screws.
- Step 8. Fit the cover by turning the cover clockwise.



PRODUCT WARRANTY CARD